

Lathe Mounted Router Tables
Richard Dlugo - September 2017

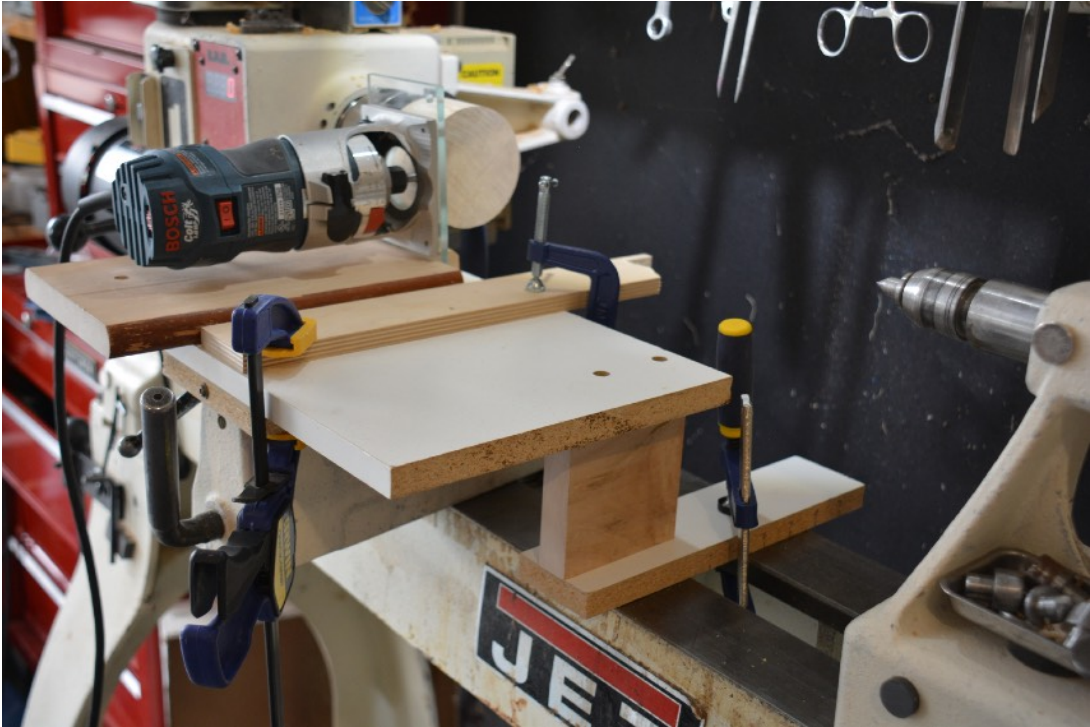
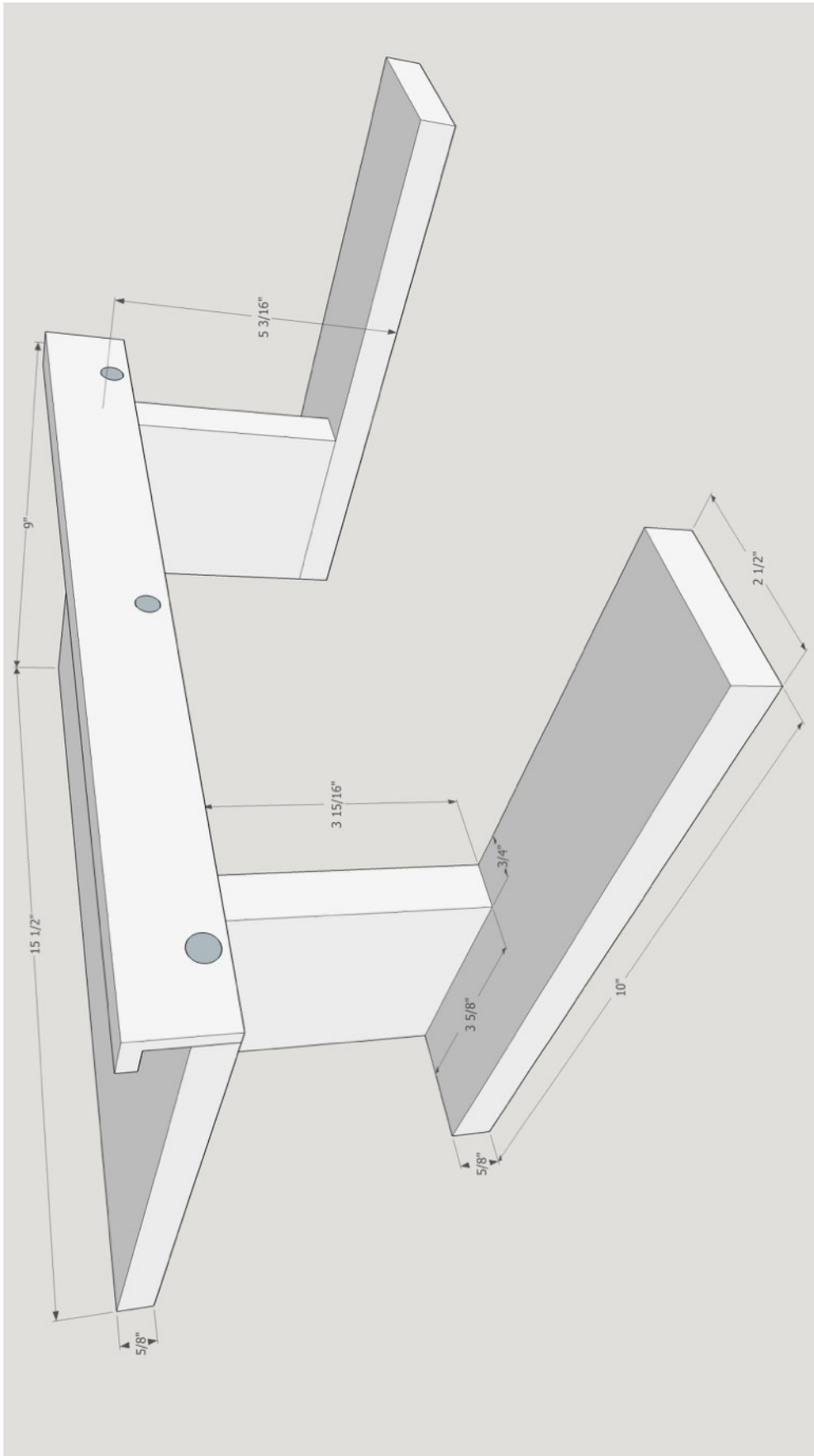
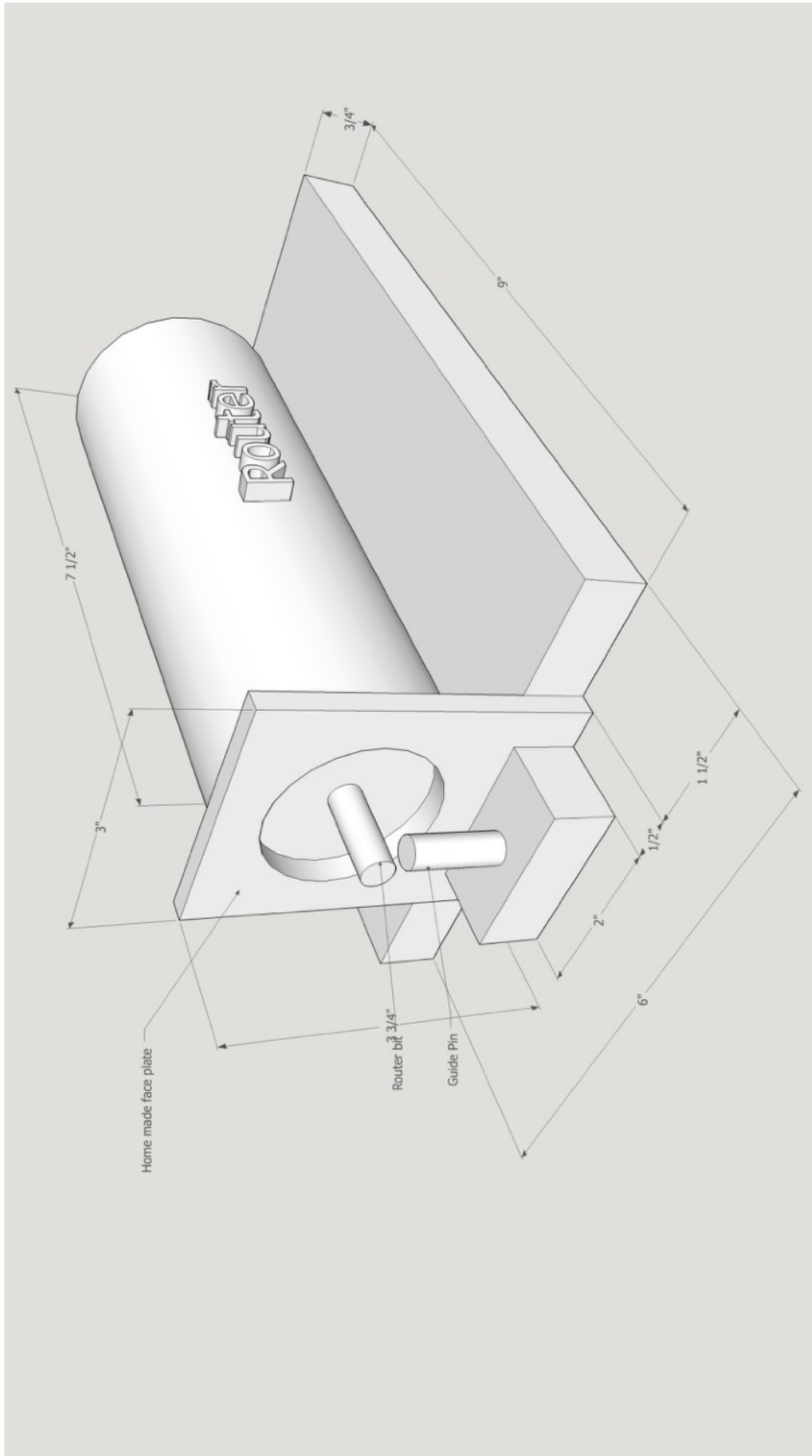


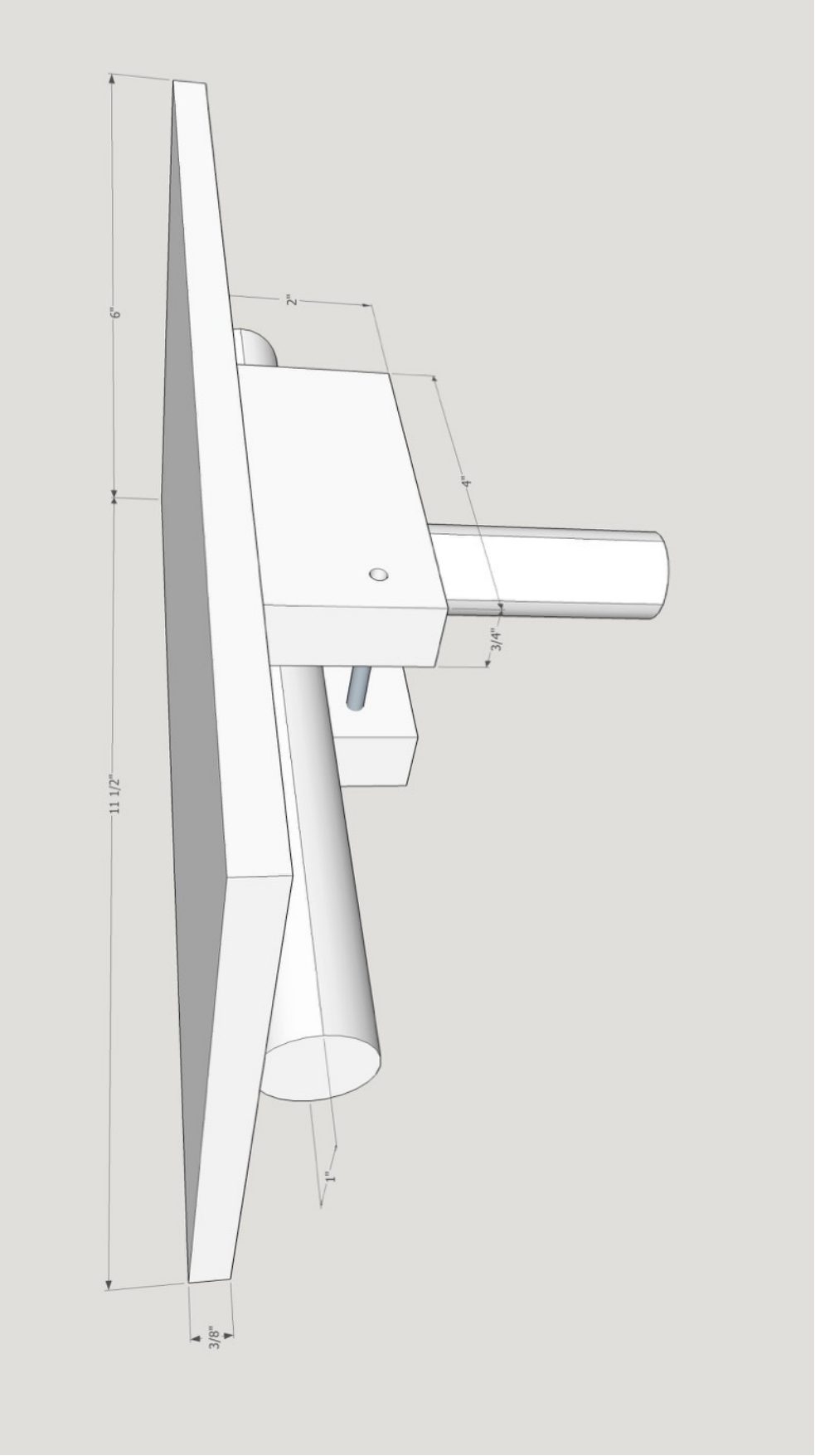
Table is clamped to the ways and has a 1" dowel inserted into the banjo

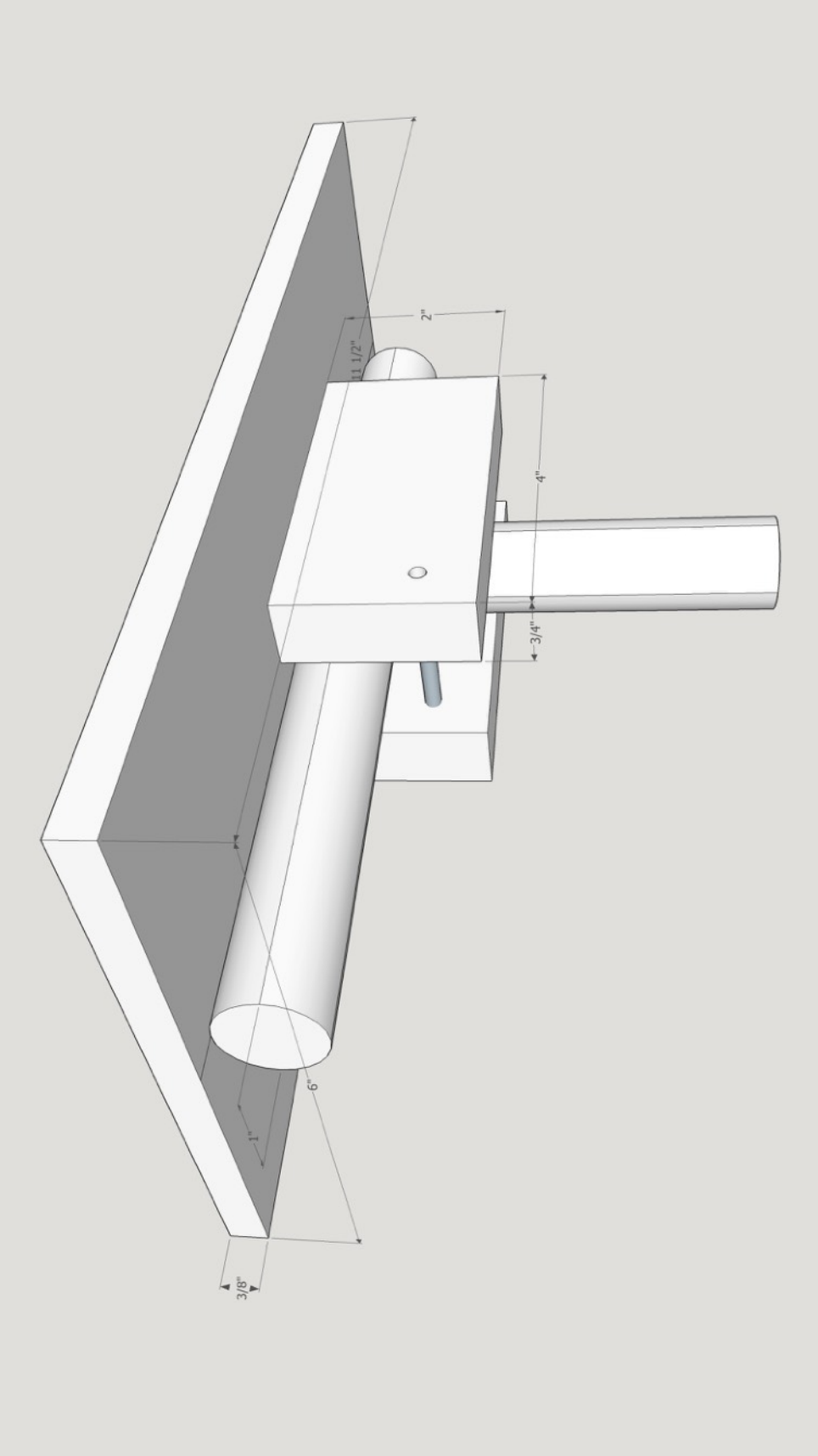




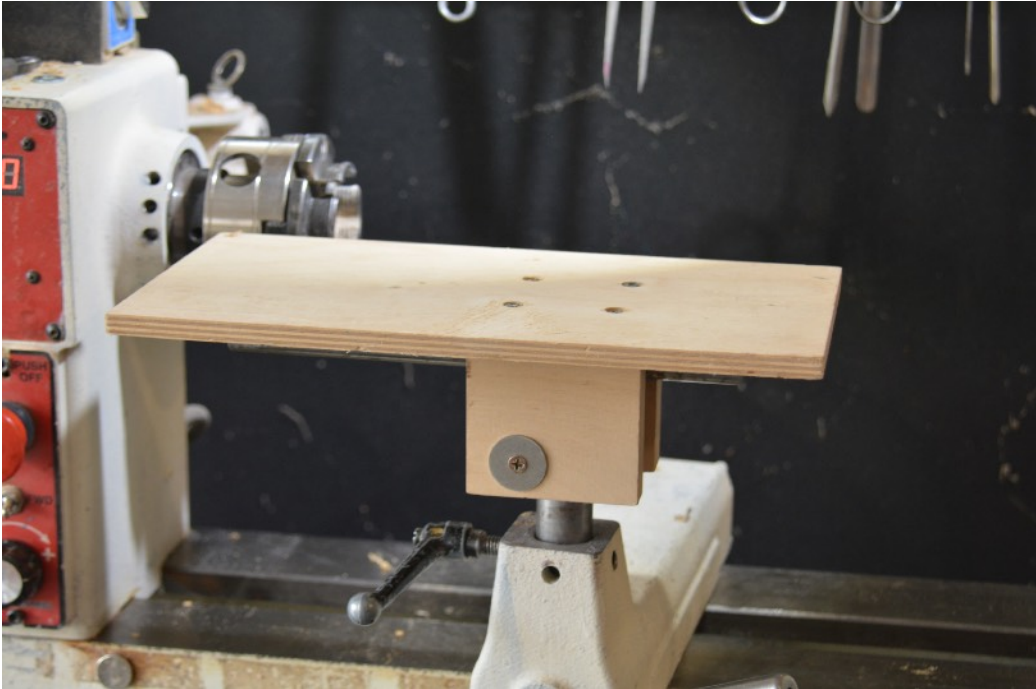
A fence can be added when needed.



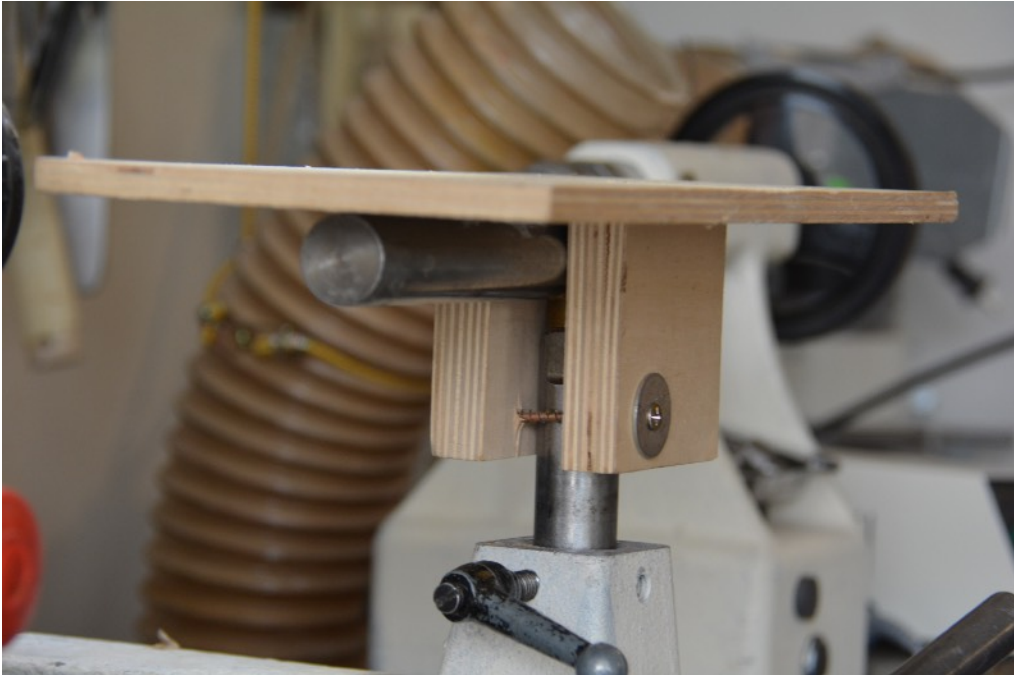




Banjo/tool rest Mounted Utility Table



XXX



ZZZ

